

ProPEX[®] Manifold Elbow Adapter

Submittal Information
Revision C: April 29, 2013

Project Information

Job Name:

Location:

Part No. Ordered:

Engineer:

Date Submitted:

Contractor:

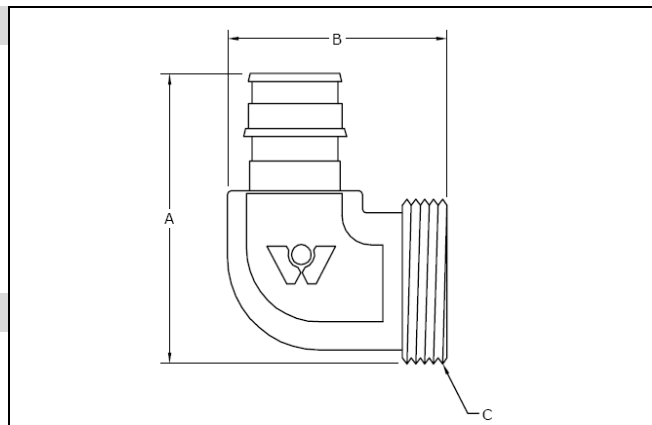
Submitted By:

Manufacturer's Representative:

Approved By:

Technical Data

Material: UNS C37700 per ASTM B283/B283M
Maximum Temperature (no pressure): 220°F (104°C)
Maximum Pressure: 125 psi



Product Information and Application Use

Uponor ProPEX[®] Manifold Elbow Adapter threads into Uponor TruFLOW[™] and Engineered Polymer (EP) Heating Manifolds to adapt to ProPEX connections in radiant heating and cooling applications.¹

✓ Description	Part Number	A	B	C	Weight
ProPEX Manifold Elbow Adapter, R32 x ¾" ProPEX	Q4153275	2.66"	2.16"	R32	0.600 lbs.
ProPEX Manifold Elbow Adapter, R32 x 1" ProPEX	Q4153210	2.90"	2.16"	R32	0.620 lbs.
ProPEX Manifold Elbow Adapter, R32 x 1¼" ProPEX	Q4153213	3.15"	2.50"	R32	0.890 lbs.
ProPEX Manifold Elbow Adapter, R32 x 1½" ProPEX	Q4153215	3.40"	2.50"	R32	0.915 lbs.

Installation

R32 threads into the Uponor TruFLOW and EP Heating Manifolds. ProPEX end enables direct, 90-degree contact to Uponor PEX-a tubing. For additional information, refer to the Uponor Radiant Floor Heating Installation Handbook.

Standards

ASTM F877; ASTM F1960

Codes

N/A

Listings

NSF-rfh; R32: ISO 228-G 1¼" B

Related Applications

Radiant Heating and Cooling Systems

Contact Information

Uponor, Inc.
5925 148th Street West
Apple Valley, MN 55124 USA
Phone: 800.321.4739
Fax: 952.891.2008
www.uponorpro.com

Uponor Ltd.
2000 Argentia Road, Plaza 1, Suite 200
Mississauga, ON L5N 1W1 CANADA
Phone: 888.994.7726
Fax: 800.638.9517
www.uponorpro.com

¹ProPEX[®] is a registered trademark of Uponor, Inc. ProPEX[™] is a trademark of Uponor Ltd.